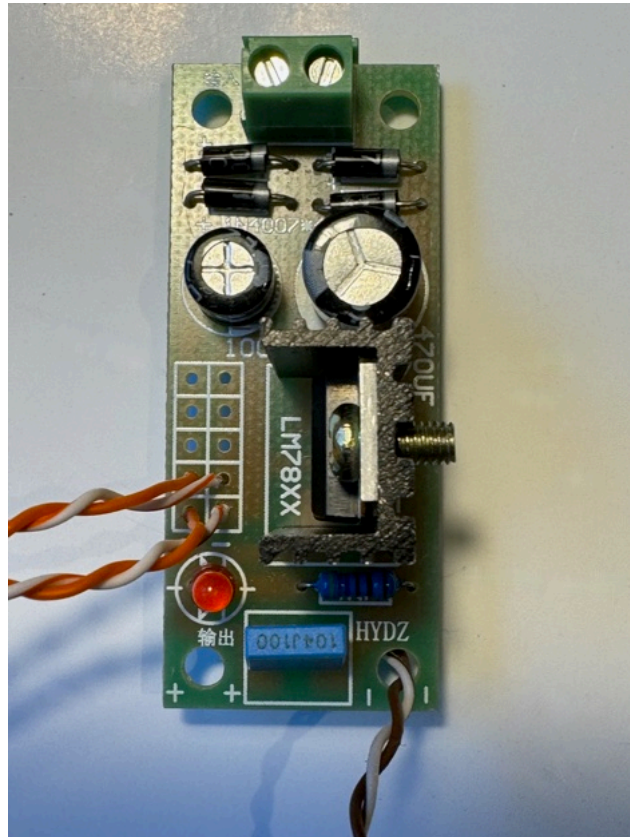


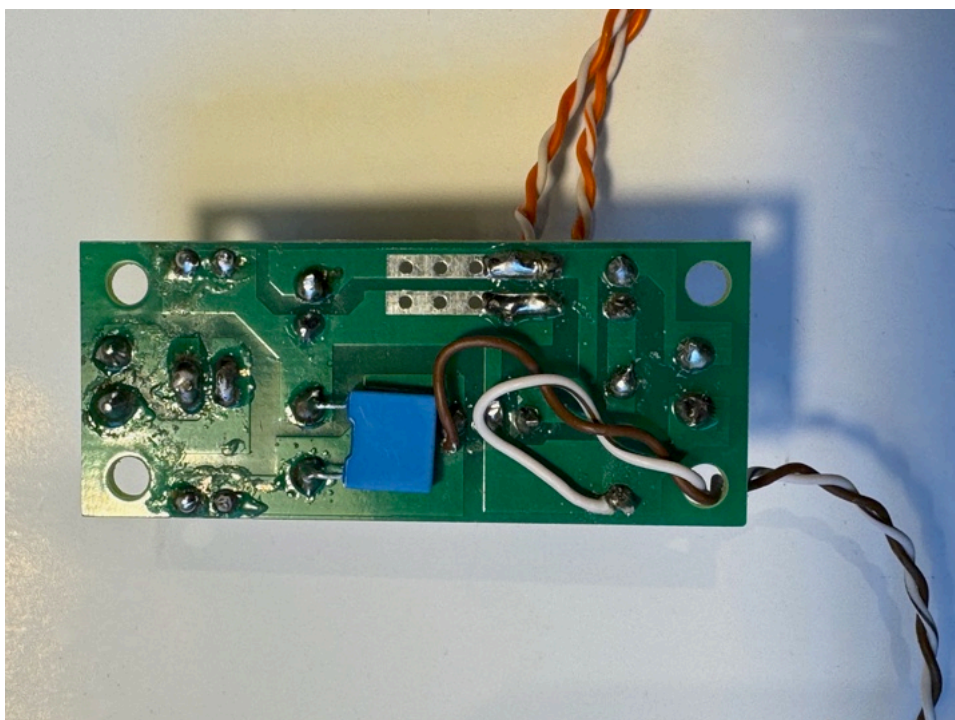
# Stair Lift Controller

Power Supply:

5 volt supplies to  
HomeKit relay cards



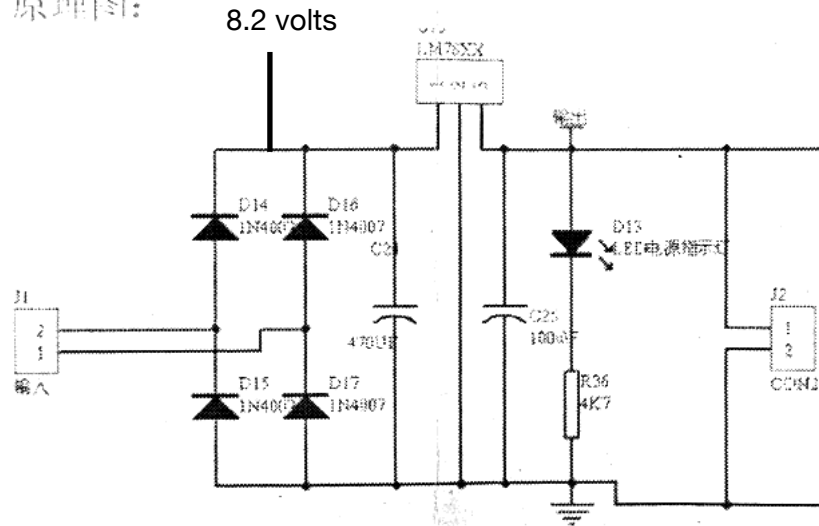
8.2 volt supply to  
stairlift control card



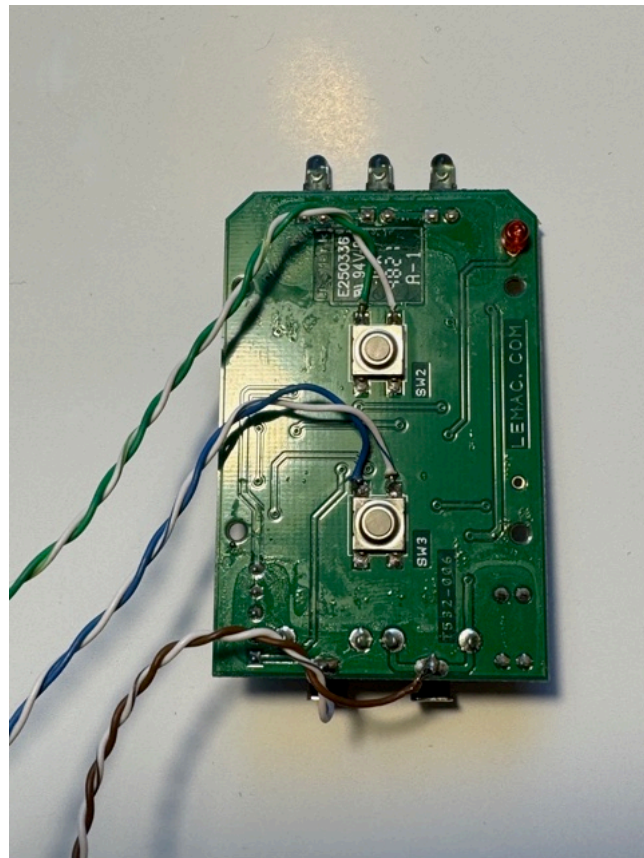
# LM7805 稳压器套件

100nF capacitors fitted across input and output of LM7805

原理图:



Stairlift Controller Card:



From 'Up' relay card

From 'Down' relay card

8.2 volt supply

Completed Wiring:

